



MVP



## NP Series

VALVE REGULATED LEAD-ACID BATTERIES

NP

# RELIABILITY IS YOUR SECURITY

Yuasa NP, NPC and NPH Batteries Utilising the latest advance design Oxygen Recombination Technology, Yuasa have applied their 80 years experience in the lead acid battery field to produce the optimum design of Sealed Lead Acid batteries.

## FEATURES

- Superb recovery from deep discharge.
- Electrolyte suspension system.
- Gas Recombination.
- Multipurpose: Float or Cyclic use.
- Usable in any orientation (except continuous inverted).
- Superior energy density.
- Lead calcium grids for extended life.
- Manufactured World wide.
- Application specific designs.

## Technical Features

### Sealed Construction

Yuasa's unique construction and sealing technique ensures no electrolyte leakage from case or terminals

### Electrolyte Suspension System

All NP batteries utilize Yuasa's unique electrolyte suspension system incorporating a microfine glass mat to retain the maximum amount of electrolyte in the cells. The electrolyte is retained in the separator material and there is no free electrolyte to escape from the cells. No gels or other contaminants are added.

### Control of Gas Generation

The design of Yuasa's NP batteries incorporates the very latest oxygen recombination technology to effectively control the generation of gas during normal use.

### Low Maintenance Operation

Due to the perfectly sealed construction and the recombination of gasses within the cell, the battery is almost maintenance free.

### Terminals

NP batteries are manufactured using a range of terminals which vary in size and type. Please refer to details as shown.

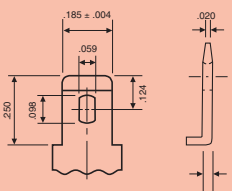
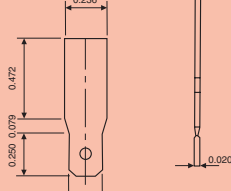
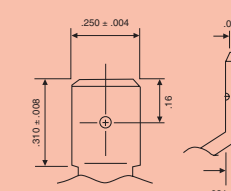
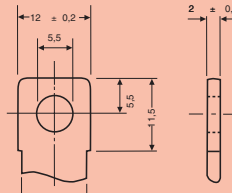
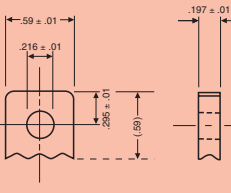
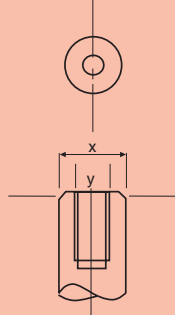
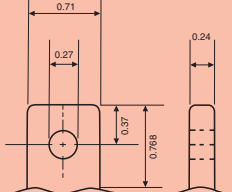
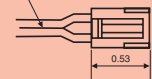
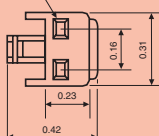
### Operation in any Orientation

The combination of sealed construction and Yuasa's unique electrolyte suspension system allows operation in any orientation, with no loss of performance or fear of electrolyte leakage. (Excluding continuous use inverted)

### Valve Regulated Design

The batteries are equipped with a simple, safe low pressure venting system which releases excess gas and automatically reseals should there be a build up of gas within the battery due to severe overcharge. Note. On no account should the battery be charged in a sealed container.

## Terminals

 <p><b>Faston tab: 187 A</b></p> <table border="1"> <thead> <tr> <th colspan="2">INCH = MM</th> </tr> </thead> <tbody> <tr><td>.250</td><td>6.35</td></tr> <tr><td>.185</td><td>4.70</td></tr> <tr><td>.124</td><td>3.15</td></tr> <tr><td>.098</td><td>2.50</td></tr> <tr><td>.059</td><td>1.50</td></tr> <tr><td>.031</td><td>0.80</td></tr> <tr><td>.020</td><td>0.50</td></tr> <tr><td>.004</td><td>0.10</td></tr> </tbody> </table>	INCH = MM		.250	6.35	.185	4.70	.124	3.15	.098	2.50	.059	1.50	.031	0.80	.020	0.50	.004	0.10	 <p><b>Faston tab: 187 B</b></p> <table border="1"> <thead> <tr> <th colspan="2">INCH = MM</th> </tr> </thead> <tbody> <tr><td>0.472</td><td>12.00</td></tr> <tr><td>0.250</td><td>6.35</td></tr> <tr><td>0.236</td><td>6.00</td></tr> <tr><td>0.185</td><td>4.70</td></tr> <tr><td>0.079</td><td>2.00</td></tr> <tr><td>0.020</td><td>0.50</td></tr> </tbody> </table>	INCH = MM		0.472	12.00	0.250	6.35	0.236	6.00	0.185	4.70	0.079	2.00	0.020	0.50	 <p><b>Faston tab: 250 D</b></p> <table border="1"> <thead> <tr> <th colspan="2">INCH = MM</th> </tr> </thead> <tbody> <tr><td>.310</td><td>7.90</td></tr> <tr><td>.250</td><td>6.35</td></tr> <tr><td>.16</td><td>4.0</td></tr> <tr><td>.031</td><td>0.8</td></tr> <tr><td>.020</td><td>0.5</td></tr> </tbody> </table>	INCH = MM		.310	7.90	.250	6.35	.16	4.0	.031	0.8	.020	0.5
INCH = MM																																														
.250	6.35																																													
.185	4.70																																													
.124	3.15																																													
.098	2.50																																													
.059	1.50																																													
.031	0.80																																													
.020	0.50																																													
.004	0.10																																													
INCH = MM																																														
0.472	12.00																																													
0.250	6.35																																													
0.236	6.00																																													
0.185	4.70																																													
0.079	2.00																																													
0.020	0.50																																													
INCH = MM																																														
.310	7.90																																													
.250	6.35																																													
.16	4.0																																													
.031	0.8																																													
.020	0.5																																													
 <p><b>Bolt fastened terminal E</b></p> <table border="1"> <thead> <tr> <th colspan="2">INCH = MM</th> </tr> </thead> <tbody> <tr><td>.472</td><td>12.00</td></tr> <tr><td>.453</td><td>11.50</td></tr> <tr><td>.433</td><td>11.00</td></tr> <tr><td>.216</td><td>5.50</td></tr> <tr><td>.079</td><td>2.00</td></tr> </tbody> </table>	INCH = MM		.472	12.00	.453	11.50	.433	11.00	.216	5.50	.079	2.00	 <p><b>Bolt fastened terminal F</b></p> <table border="1"> <thead> <tr> <th colspan="2">INCH = MM</th> </tr> </thead> <tbody> <tr><td>.59</td><td>15.0</td></tr> <tr><td>.216</td><td>5.5</td></tr> <tr><td>.295</td><td>7.5</td></tr> <tr><td>.197</td><td>5.0</td></tr> </tbody> </table>	INCH = MM		.59	15.0	.216	5.5	.295	7.5	.197	5.0	<p><b>Internal thread terminal</b></p>  <table border="1"> <thead> <tr> <th>Terminal</th> <th>x</th> <th>y</th> </tr> </thead> <tbody> <tr> <td><b>J:</b></td> <td>17mm</td> <td>M5</td> </tr> <tr> <td><b>K:</b></td> <td>20mm</td> <td>M6</td> </tr> <tr> <td><b>L:</b></td> <td>20mm</td> <td>M8</td> </tr> </tbody> </table>	Terminal	x	y	<b>J:</b>	17mm	M5	<b>K:</b>	20mm	M6	<b>L:</b>	20mm	M8										
INCH = MM																																														
.472	12.00																																													
.453	11.50																																													
.433	11.00																																													
.216	5.50																																													
.079	2.00																																													
INCH = MM																																														
.59	15.0																																													
.216	5.5																																													
.295	7.5																																													
.197	5.0																																													
Terminal	x	y																																												
<b>J:</b>	17mm	M5																																												
<b>K:</b>	20mm	M6																																												
<b>L:</b>	20mm	M8																																												
 <p><b>Bolt fastened terminal G</b></p> <table border="1"> <thead> <tr> <th colspan="2">INCH = MM</th> </tr> </thead> <tbody> <tr><td>0.24</td><td>6</td></tr> <tr><td>0.27</td><td>7</td></tr> <tr><td>0.37</td><td>9.5</td></tr> <tr><td>0.71</td><td>18</td></tr> <tr><td>0.768</td><td>19.5</td></tr> </tbody> </table>	INCH = MM		0.24	6	0.27	7	0.37	9.5	0.71	18	0.768	19.5	<p><b>JST No. VHR-2N I</b></p> <p>WIRE AWG #20 UL 1007</p>  <p>JST No. VHR-2N (TERMINAL)</p> <p>JST SVH-21T-P1.1</p> 																																	
INCH = MM																																														
0.24	6																																													
0.27	7																																													
0.37	9.5																																													
0.71	18																																													
0.768	19.5																																													

## Lead Calcium Grids

The heavy duty lead calcium alloy grids provide an extra margin of performance and life in both cyclic and float applications and give unparalleled recovery from deep discharge.

## Long Cycle Service Life

Depending upon the average depth of discharge, over a thousand discharge/charge cycles can be expected.

## Float Service Life

The expected service life is five years in float standby applications.

## Separators

The use of the special separator material provides a very efficient insulation between plates preventing inter-plate short circuits and prohibiting the shedding of active materials.

## Long shelf Life

The extremely low self discharge rate allows the battery to be stored for extended periods up to one year at normal ambient temperatures with no permanent loss of capacity.

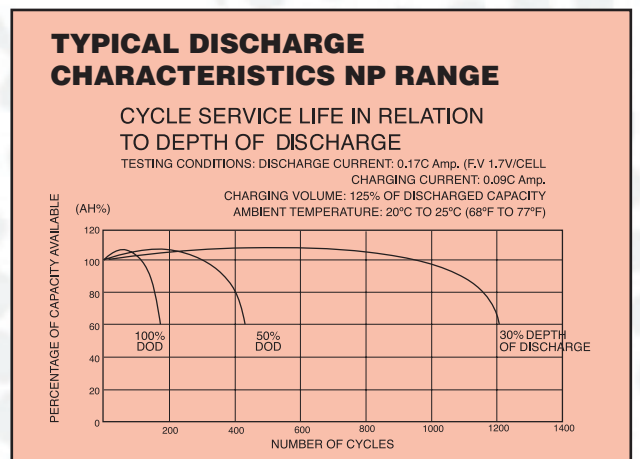
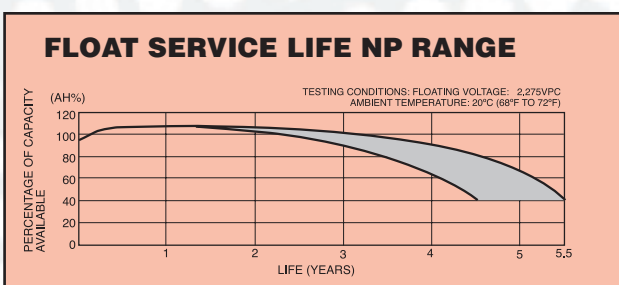
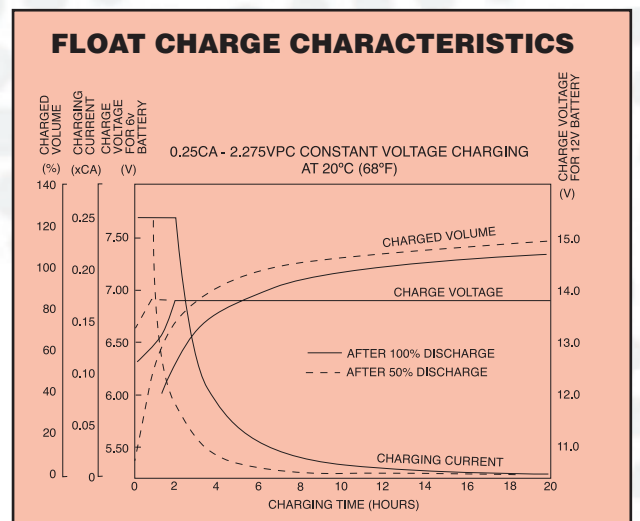
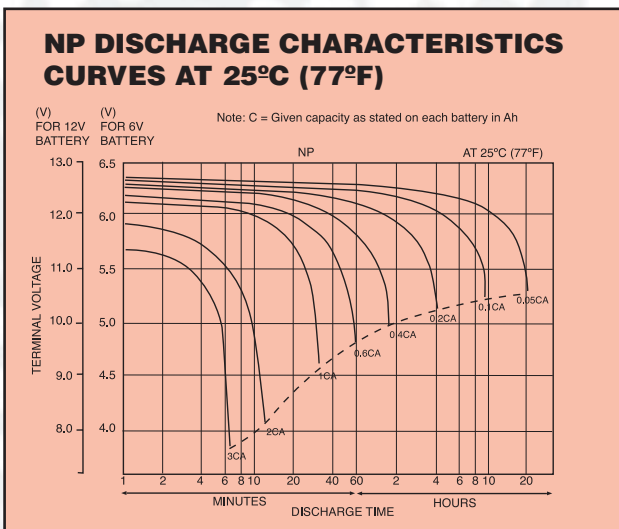
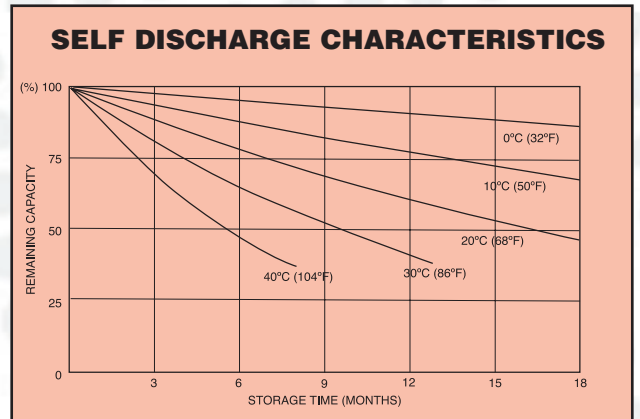
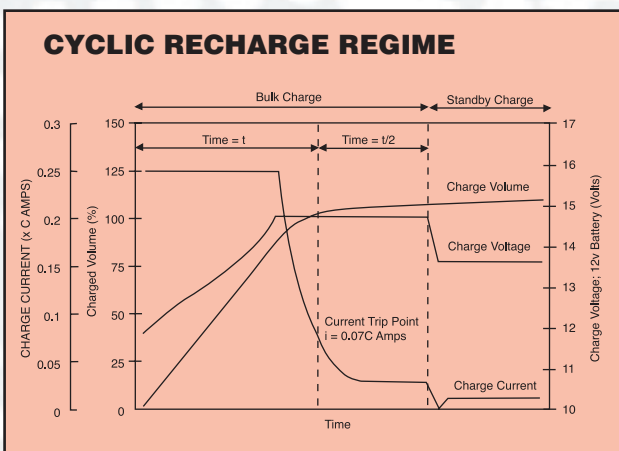
## Operating Temperature Range

The batteries can be used over a broad temperature range permitting considerable flexibility in system design and location.

Charge – 15°C to 50°C

Discharge – 20°C to 60°C

Storage – 20°C to 50°C (fully charged battery)





## INTELLIGENT BATTERY CHARGERS

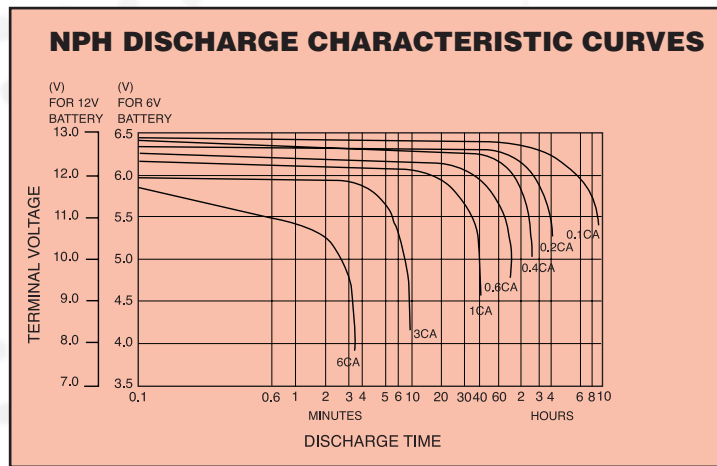
Manufactured to BS3456, IEC335, UL 1236, EN60335, CE mark to EN5008-1

### Features

- Micro processor controlled
- Short circuit protection
- Reverse polarity protection
- High temperature protection
- Soft start current control
- Fast constant current bulk charge
- 3 stage charging CI-CV-float
- Constant voltage float/standby
- Proportional timing
- Flexibility, to match battery specification.

### Standard Range

YCP03A12	300mA 12v
YCP03A24	300mA 24v
YCP03A6	300mA 6v
YCP06A12	600mA 12v
YCP06A6	600mA 6v
YCP1.5A12	1.5A 12v
YCP1.5A24	1.5A 24v
YCP1.5A6	1.5A 6v
YCP1A12	1A 12v
YCP1A6	1A 6v
YCP2A12	2A 12v
YCP2A24	2A 24v
YCP2A6	2A 6v
YCP3A12	3A 12v
YCP4A12	4A 12v
YCP6A12	6A 12v
YCP8A12	8A 12v
YCP10A12	10A 12v
YCP8A24	8A 24v



### Standard NP

Available in a wide range of sizes to suit general applications.

### NPH/NPW

High performance batteries specially designed for applications requiring high rate discharge, supplying up to 50% (NPH), (NPW) more power (Watts) for short durations when compared to conventional NP models.

### NPC

Specifically designed to suit the arduous requirements of cyclic applications allowing increased cycle life (at least double that of conventional types). (NPC Shortform refers)

### NPL

Long Life Model also to BS6290pt4 (FR Options)  
Dedicated literature available on request. (NPL Shortform refers).

### Applications

Yuasa NP batteries, having excellent deep discharge recovery characteristics coupled with long life on float standby, are ideal for numerous applications in both cyclic and standby modes. For advice on the use of NP batteries in your particular application please contact our Sales Office.

### Charging For Float Standby Applications

Charged at 2.275 volts per cell continuous. The battery will seek its own current level and float fully charged. However, users should be aware that when charging from fully discharged, the battery can draw an initial charge current of approximately 2cA. Care should therefore be taken to ensure that this initial charge current (if uncontrolled) is within the output capability of the equipment. Final charge current at 2.275 volts per cell is typically between 0.0005cA to 0.004cA.

### Charging For Cyclic Applications

See cyclic recharge regime graph.

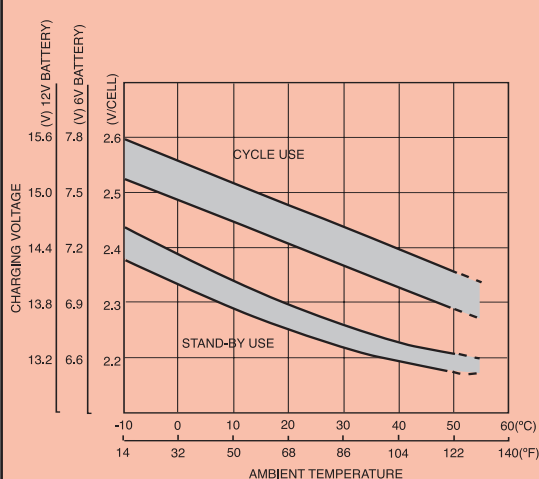
## CAUTION

- Do not Short Circuit
- Do not charge in a sealed container
- Service life and operational characteristics will be affected by temperature
- AC Ripple reduces service life.

## WARNING!

The battery type NP65-12I must never be installed permanently suspended by their handles; they are not designed for this purpose.

### RELATIONSHIP BETWEEN CHARGING VOLTAGE AND TEMPERATURE

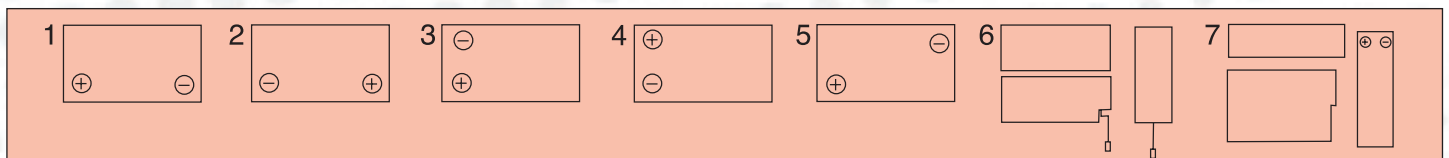


## General Specifications

Nominal Capacity (Ah)	NP1-6	NP1.2-6	NP2.8-6	NP4-6	NP7-6	NP10-6	NP12-6	NP0.8-12	NP1.2-12	NP2-12	NP2.1-12	NP2.3-12	NP2.8-12	NP3.2-12
20hr to 1.75vpc 20°C	1	1.2	2.8	4	7	10	12	0.8	1.2	2	2.1	2.3	2.8	3.2
10hr to 1.75vpc 20°C	0.93	1.1	2.5	3.7	6.5	9.2	11.1	0.74	1.1	1.86	1.9	2.1	2.5	2.9
5hr to 1.70vpc 20°C	0.85	1	2.3	3.4	6	8.5	10	0.68	1	1.7	1.75	1.9	2.3	2.7
1hr to 1.60vpc 20°C	0.6	0.7	1.6	2.4	4.2	6	7.2	0.48	0.7	1.2	1.2	1.3	1.6	1.9
Voltage	6	6	6	6	6	6	6	12	12	12	12	12	12	12
Energy Density (Wh.L.20hr)	54	58	61	72	86.2	85	101	65	61	95	69	76	63	71
Specific Energy (Wh.kg.20hr)	24	25	29	28	28.5	30	35	27	25	34	31	29	30	32
Int. Resistance (m.Ohms)	75	60	30	20	22.5	8	8	270	110	180	60	65	60	50
Maximum discharge (A)	5	12	28	40	35	40/75	75	4	12	10	21	23	28	32
Short Circuit current (A)	15	36	84	1.20	105	300	360	12	36	30	63	69	84	96
<b>Dimensions (mm)</b>														
Length	51	97	134	70	151	151	151	96	97	150	178	178	134	134
Width	42.5	25	34	47	34	50	50	25	48	20	34	34	67	67
Height overall	54.5	54.5	64	105.5	97.5	97.5	97.5	61.5	54.5	89	64	64	64	64
Weight (Kg)	0.25	0.31	0.57	0.87	1.32	1.93	2.05	0.35	0.58	0.7	0.82	0.95	1.12	1.2
Terminal	A	A	A	A	A	A/D	D	I	A	B	A	A	A	A
Layout	5	1	1	5	1	1	1	6	3	7	1	1	3	3
Terminal Torque Nm	-	-	-	-	-	-	-	-	-	-	-	-	-	-

Nominal Capacity (Ah)	NP4-12	NP7-12	NP12-12	NP17-12I	NP18-12	NP24-12I	NP38-12I	NP65-12I	NPH2-12FR	NPH3.2-12	NPH5-12	NPH12-12	NPW45-12
20hr to 1.75vpc 30°C	4	7	12	17	17.2	24	38	65	-	-	-	-	29wpc 15min
10hr to 1.75vpc 20°C	3.7	6.4	11.1	15.7	16	22.3	35.3	60.5	2	3.2	5	12	40wpc 10min
5hr to 1.70vpc 20°C	3.4	5.9	10	14.4	14.5	20.4	32.3	55.3	1.82	2.91	4.5	10.8	63wpc 5min
1hr to 1.60vpc 20°C	2.4	4.2	7.2	10.2	10.3	14.4	22.8	39	1.5	2.4	3.8	9	82wpc 3min
Voltage	12	12	12	12	12	12	12	12	12	12	12	12	12
Energy Density (Wh.L.20hr)	75	91	104	89	94	79	83	77	82.7	69.2	92.9	95	89.7
Specific Energy (Wh.kg.20hr)	27	32	36	33	38	32	32	34	28.5	27.3	29.9	32	30.7
Int. Resistance (m.Ohms)	40	25	16	15	11	9.5	7.5	5	66	35	24	16	-
Maximum discharge (A)	40/75	40/75	75	170	112	240	300	500	14	22.4	35	84	42
Short Circuit current (A)	120	210	360	500	500	500	500	800	40	64	100	240	105
<b>Dimensions (mm)</b>													
Length	90	151	151	181	180	166	197	350	68	134	90	151	151
Width	70	65	98	76	76	175	165	166	51	67	70	98	65
Height overall	106	97.5	97.5	167	167	125	170	174	88	64	106	97.5	97.5
Weight (Kg)	1.75	2.65	4.05	6.1	6.2	9	14.2	23	0.84	1.4	2	4.2	2.7
Terminal	A/D	A/D	D	J	E	J	J	K	A	A	D	D	D
Layout	1	4	4	2	2	2	2	2	2	3	1	4	4
Terminal Torque Nm	-	-	-	2.45	-	2.45	2.45	4.76	-	-	-	-	-

## Layouts



## Yuasa in Europe

In the early 1980s Yuasa established a Company in the UK to distribute their range of industrial batteries. A manufacturing plant was set up in Wales which today supplies batteries to the whole of Europe, having won the Queen's Award for Export on two occasions and achieving registration to ISO9002 and ISO14001.

With Distribution, Customer Services and Administration now based at the Ebbw Vale site, this operation is a major contributor to the Yuasa policy to provide World Class products from a World Wide Company.



### Yuasa Battery Sales (UK) Ltd

Unit 22 Rassau Industrial Estate  
Ebbw Vale, Gwent, NP23 5SD  
Tel: 08708 500312 Fax: 08708 500317  
E-mail: enquiries@yuasa-sales.co.uk

Registered number 1548820

Cat. No.	NPSF September 08
----------	-------------------

E&O.E.

Distributed by